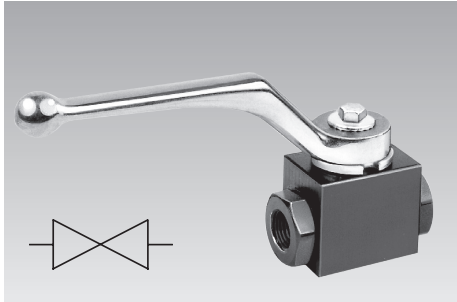
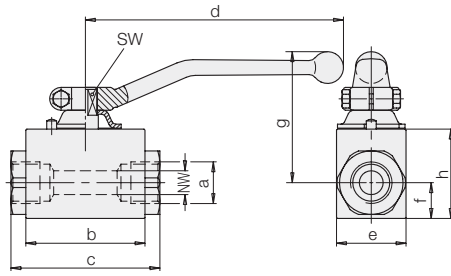




**High-Pressure Shut-Off Valves  
Flow Control Valves**



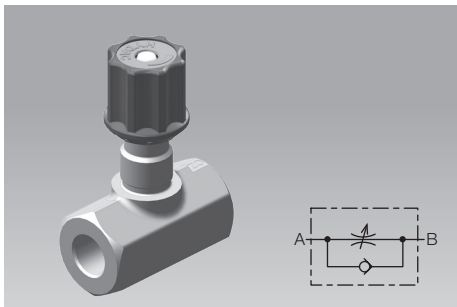
**High-pressure shut-off valve**  
Max. operating pressure 500 bar



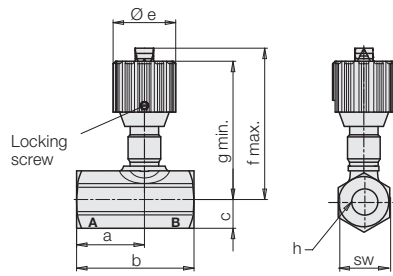
Spare operating lever for 2944002  
**Part no. steel** 3540317  
**Part no. aluminium** 3540318

Temperature range -20... +60 °C  
Hermetically sealing

ND	[mm]	6	12
a		G 1/4	G 1/2
b	[mm]	37	60
c	[mm]	50	75
d	[mm]	105	130
e	[mm]	26	35
f	[mm]	13	18
g	[mm]	57	66
h	[mm]	32	45
SW	[mm]	9	10
Weight	[kg]	0.3	0.7
<b>Part no.</b>		<b>2944002</b>	<b>2945000</b>

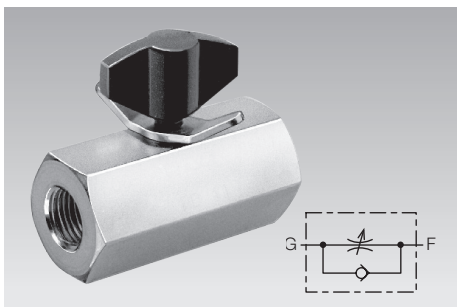
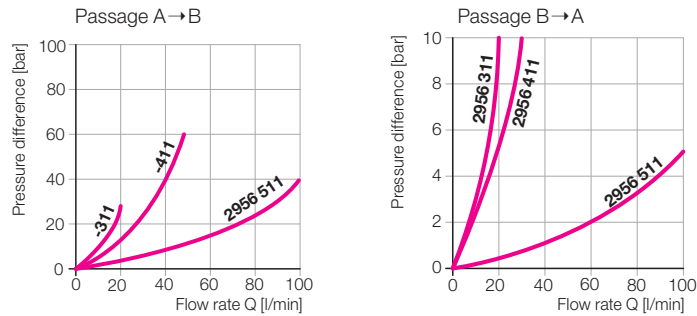


**Flow control valve**  
Max. operating pressure 350 bar

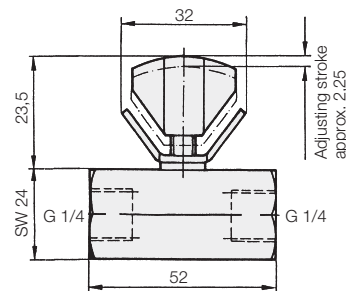


NG	[mm]	6	8	12
a	[mm]	28.8	34	44
b	[mm]	45	55	73
c	[mm]	9	14.2	20
sw	[mm]	16	25	35
Ø e	[mm]	25.2	30.5	38
f max.	[mm]	57	70.4	89.2
g min.	[mm]	52.9	64.3	82.3
h		G 1/8	G 1/4	G 1/2
Weight	[kg]	0.1	0.28	0.65
<b>Part no.</b>		<b>2956311</b>	<b>2956411</b>	<b>2956511</b>

Δ p-Q curves for kinematic viscosity of 53x10<sup>-6</sup> m<sup>2</sup>/s, throttle totally opened



**Flow control valve**  
Max. operating pressure 500 bar



Weight [kg]	0.36
<b>Part no.</b>	<b>6355108</b>

Δ p-Q curves for kinematic viscosity of 36x10<sup>-6</sup> m<sup>2</sup>/s, throttle totally opened

