

Flow-Control Swivel Banjo Coupling G 1/4 adjustable, max. operating pressure 500 bar

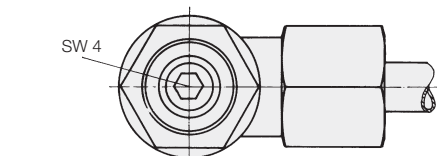
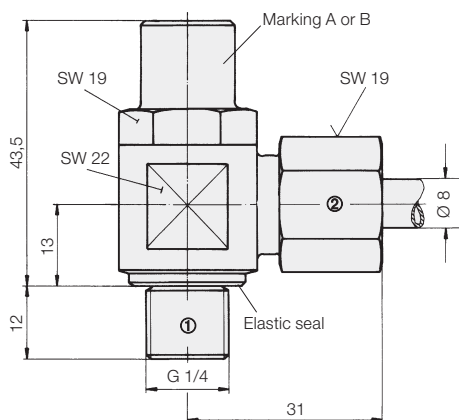


Application

Flow-control swivel banjo couplings are used to regulate the moving speed of hydraulic cylinders.

Two versions are available.

These units can be exchanged with normal swivel banjo couplings of the same size. Only the different length has to be considered.



Clockwise rotation: closed
Counterclockwise rotation: open

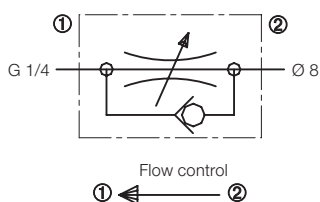
Spare seal **Part no. 3002142**

Version A

Flow control of the oil flow from pipe or hose connection to thread G 1/4. Free flow in opposite direction.

Application

Controlling speed regulation of individual cylinders, e.g. swing clamps. Each cylinder connection is equipped with a flow-control swivel banjo coupling. The oil flow can be divided more evenly this way, however, it will take more time to adjust.



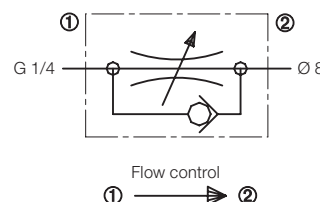
Part no. 9208181

Version B

Flow control of the oil flow from thread G 1/4 to pipe or hose connection. Free flow in opposite direction.

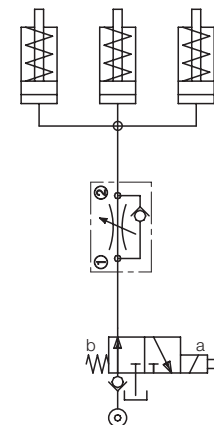
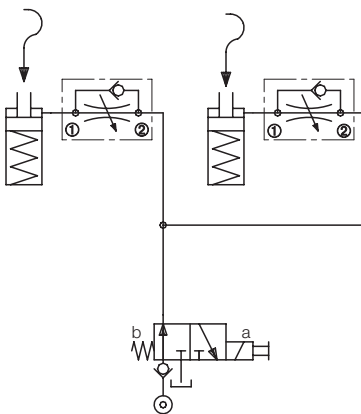
Application

Controlling speed regulation or flow control for cylinder groups. The flow-control swivel banjo coupling is either directly screwed into the mounting plate at the power unit or into a distributor bar. The disadvantage is that the connected cylinders with different load have different speed.



Part no. 9208182

Hydraulic circuit diagrams



Application example

